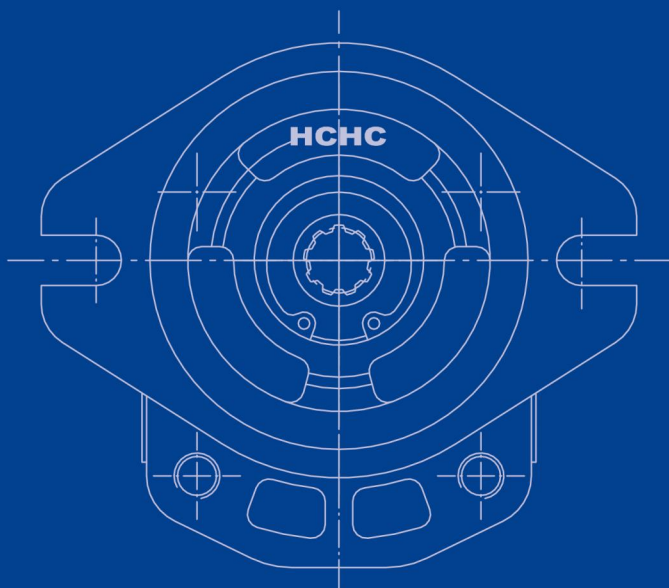


# 超静音圆弧螺旋 齿轮油泵

ULTRA-QUIET  
HELICAL ROTOR PUMP





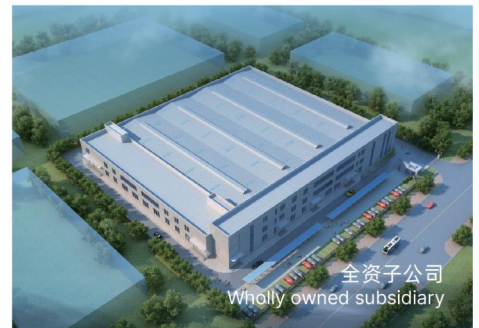
## 关于长源液压 ABOUT HCHC

公司成立于1966年，主要产品包括液压泵、液压马达、液压阀、液压油缸和液压系统及控制等五大类。产品全产业链高度自主，具有铸造、锻造、热处理、电镀、喷涂、核心零部件加工制造等能力，总占地约20万平方米。产品共200多个系列、4500余种规格，具有较强的综合配套供应和服务能力。

液压泵、液压阀、液压油缸总年产量可达200多万件。产品广泛应用于工程机械、矿山机械、工业车辆（叉车）、专用车辆、现代农业机械及其它非移动领域等。

Founded in 1966, the company specializes in five core product categories: hydraulic pumps, hydraulic motors, hydraulic valves, hydraulic cylinders, and hydraulic systems & controls. with a fully independent industrial chain, it possesses capabilities in casting, forging, heat treatment, electroplating, spraying, and core component processing & manufacturing, covering a total area of approximately 200,000 square meters.

The product range includes over 200 series and more than 4,500 specifications, providing strong comprehensive support in supply and service. The total annual output of hydraulic pumps, hydraulic valves, and hydraulic cylinders exceeds 2 million units. The products are widely used in construction machinery, mining machinery, industrial vehicles (forklifts), special-purpose vehicles, modern agricultural machinery, as well as non-mobile fields.



# 超静音圆弧螺旋齿轮油泵简介

## INTRODUCTION OF ULTRA-QUIET HELICAL ROTOR PUMP

CBXB超静音圆弧螺旋齿轮油泵适用于电机驱动液压系统的各种场景，在工业自动化、工业车辆、高空作业、石油化工、船舶海工等领域不同工作状态下的降噪和容积效率都能表现得十分优异，能够提供高效、稳定、低噪音的动力支持，为客户提供更优质的工作体验和环境。

CBXB ultra-quiet helical rotor pump is suitable for various applications of motor driven hydraulic system, and can perform excellently in noise reduction and volumetric efficiency under different working conditions in various fields, such as industrial automation, Industrial vehicles, aerial work, petrochemical industry and marine offshore, etc., and are able to provide high-efficiency, stable, and low-noise power support, and provide customers with a better working experience and environment.

### 超静音圆弧螺旋齿轮油泵应用领域 APPLICATION OF CBXB PUMPS



工业自动化  
industrial automation



工业车辆  
Industrial vehicles



高空作业  
Aerial work



石油化工  
Petrochemical industry

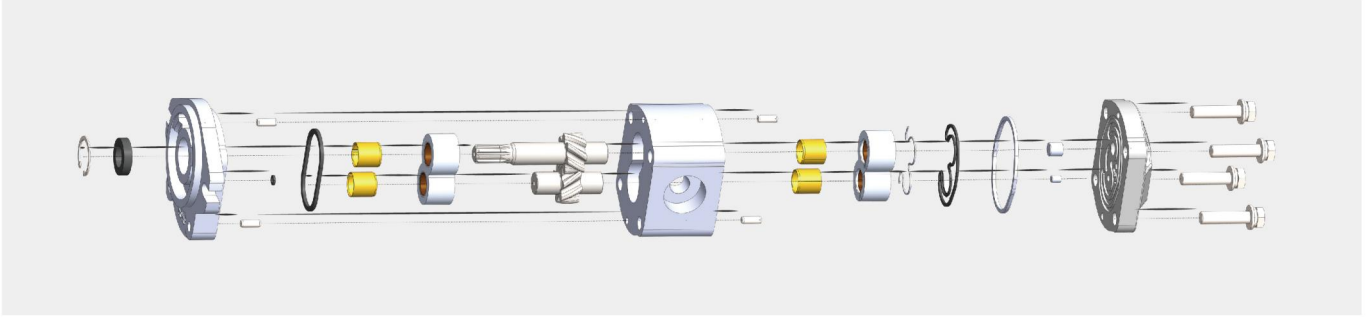


船舶海工  
Marine offshore



# 超静音圆弧螺旋齿轮油泵特性说明

## CHARACTERISTICS OF ULTRA-QUIET HELICAL ROTOR PUMP



- 自主设计曲线参数高精度螺旋齿轮赋能CBXB超静音齿轮泵卓越的静音性能，额定工况噪音低于55dB(A)，与传统外啮合齿轮泵相比，平均降低 15 分贝；
  - 前端盖缩小高压区，后端盖高压销轴消除径向力机构，结合专用浮动轴套，整体承载能力强，可靠性高；
  - 圆弧齿廓与斜齿设计实现转动时齿面接触无啮合间隙，流体可近乎连续且无噪声的流动，避免了齿面间困油现象的产生；
  - 在压力和转速范围内，齿轮泵运行噪音明显降低，流量脉动降低 75%，极大程度上减少了设备振动，极低的脉动性降低了液压系统中其他部件的振动，总体也可降低整机噪音；
  - CBXB系列全系列额定工况下容积效率可达92%以上，低速条件下容积效率也比常规齿轮泵优异；
  - 较传统外啮合齿轮泵具有低噪音、低脉动、高效率、长寿命等优势，可直接替换普通渐开线外啮合齿轮泵；
  - 可与各类电机进行组合，根据客户需求可选择共轴或不共轴。
- 
- Our CBXB Ultra-Silent Gear Pump is equipped with independently designed high-precision helical gears featuring optimized curve parameters, delivering exceptional noise reduction performance. Under rated operating conditions, noise levels are below 55 dB(A)—an average reduction of 15 dB compared to traditional external gear pumps.
  - The front cover incorporates a reduced high-pressure zone, while the rear cover integrates a high-pressure pin mechanism that eliminates radial force. Combined with a dedicated floating bearing, the pump offers high overall load capacity and outstanding reliability.
  - Its arc-shaped tooth profile and helical gear design ensure zero backlash during meshing, enabling nearly continuous and quiet fluid flow while eliminating oil trapping between teeth.
  - Within the specified pressure and speed ranges, the pump operates with significantly reduced noise and 75% lower flow pulsation, greatly minimizing equipment vibration. The ultra-low pulsation also reduces vibration in other hydraulic system components, contributing to lower overall machine noise.
  - The CBXB series achieves a volumetric efficiency of over 92% under rated conditions, and also delivers superior volumetric efficiency at low speeds compared with conventional gear pumps.
  - Compared with traditional external gear pumps, it features lower noise, lower pulsation, higher efficiency and longer service life, and can directly replace standard involute external gear pumps.
  - Additionally, it can be paired with various motor types, available in coaxial or non-coaxial configurations to meet customer requirements.

# 超静音圆弧螺旋齿轮油泵型号说明

## MODEL CODE OF ULTRA-QUIET HELICAL ROTOR PUMP

### 单联泵 Single Pump

CBXB \* - \* \*\* - \* \* \* \*

① ② ③ ④ ⑤ ⑥ ⑦ ⑧

### 双联泵 Double Pump

CBXBLA - F \*\* / F \*\* - B \* H \*

① ③ ④ ③ ④ ⑤ ⑥ ⑦ ⑧

- ① 产品代号 Product code CBXB
- ② 产品系列 Pressure series 2 3 4 5
- ③ 压力等级 Pressure grade A 1MPa B 2.5MPa C 6.3MPa D 10MPa E 16MPa F 20MPa  
G 25MPa H 31.5MPa 部分型号可省略
- ④ 公称排量 Nominal displacement (mL/r)
- ⑤ 安装形式 Mounting A 菱形法兰Oval B 方形法兰Square C 矩形法兰Rectangle T 特殊法兰 Special
- ⑥ 油口形式 joining port L 螺纹油口 Screw F 法兰油口 Flange T 特殊油口 Special
- ⑦ 轴伸形式 Shaft end P 平键 Plain Key H 矩形花键 Rectangle spline Z 锥轴半圆键 Taper shaft woodruff  
X 渐开线花键 Involute spline  $\phi$  SAE花键 SAE spline B 扁键 Flat end T 特殊轴伸 Special shaft end
- ⑧ 旋转方向 Rotation L 左旋 Left R 右旋 Right (省略)

\* 该样本参数仅为参考,具体选择产品时与我公司技术服务人员联系。

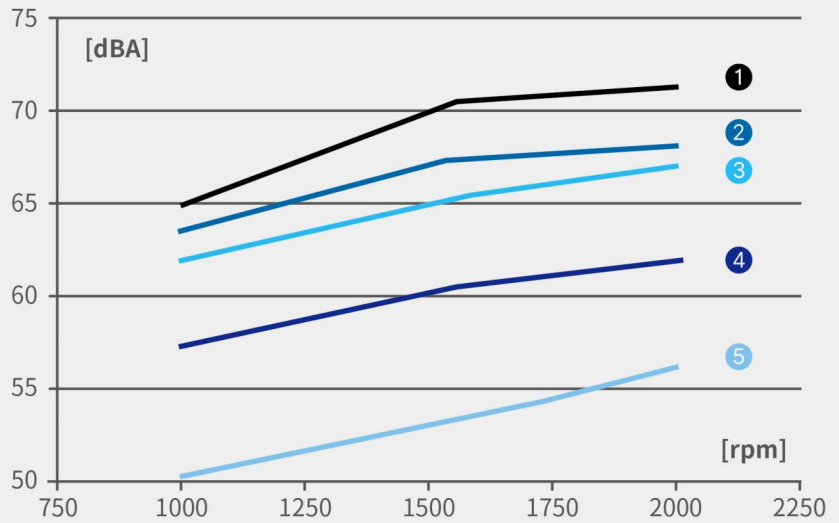
Parameters in this catalog are for reference only. For product selection, please contact our technical service team.

### CBXB超静音圆弧螺旋齿轮油泵噪音对比曲线

#### Noise Comparison Curve of CBXB Ultra-quiet Helical Gear Oil Pumps

- ① 普通外啮合齿轮泵
- ② 双啮合齿轮泵
- ③ 内啮合齿轮泵
- ④ 叶片泵
- ⑤ 超静音螺旋泵

- ① Conventional external gear pump
- ② Double-gear pump
- ③ Internal gear pump
- ④ Vane pump
- ⑤ Ultra-quiet helical pump



### 单联泵产品类别

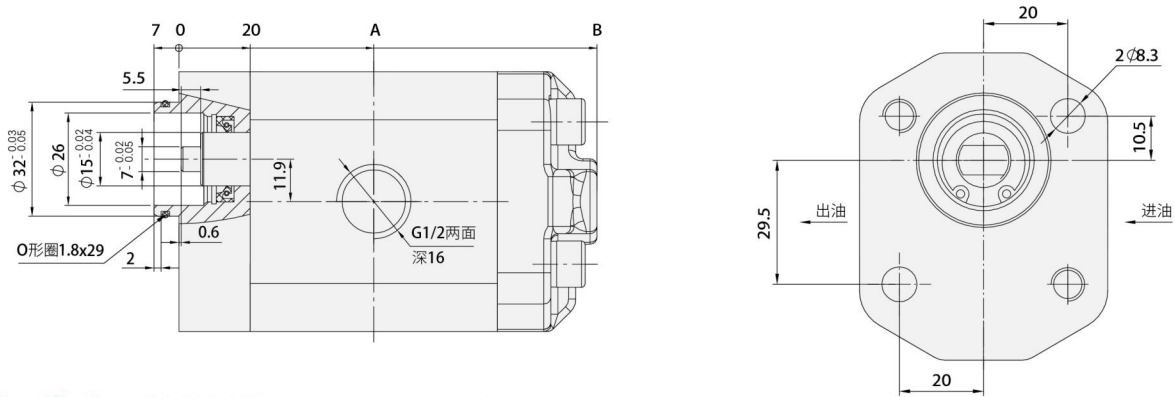
#### Single Pump Product Category

序号 Number	系列 Series	理论排量 Displacement(mL/r)	旋向 (从轴端方向看) Rotation Direction (viewed from shaft end)
01	CBXB2	6-8-10	左、右 left rotation (CCW)、right rotation (CW)
02	CBXB3	8-10-12-16	左、右 left rotation (CCW)、right rotation (CW)
03	CBXB4	16-18-20-23-25-28	左、右 left rotation (CCW)、right rotation (CW)
04	CBXB5	25-28-32-36-40-45-50-63	左、右 left rotation (CCW)、right rotation (CW)
05	CBXB6	63-75-90	左、右 left rotation (CCW)、right rotation (CW)

# CBXB2

超静音圆弧螺旋齿轮油泵  
ULTRA-QUIET HELICAL ROTOR PUMP

## 外形图 Outline Dimensions



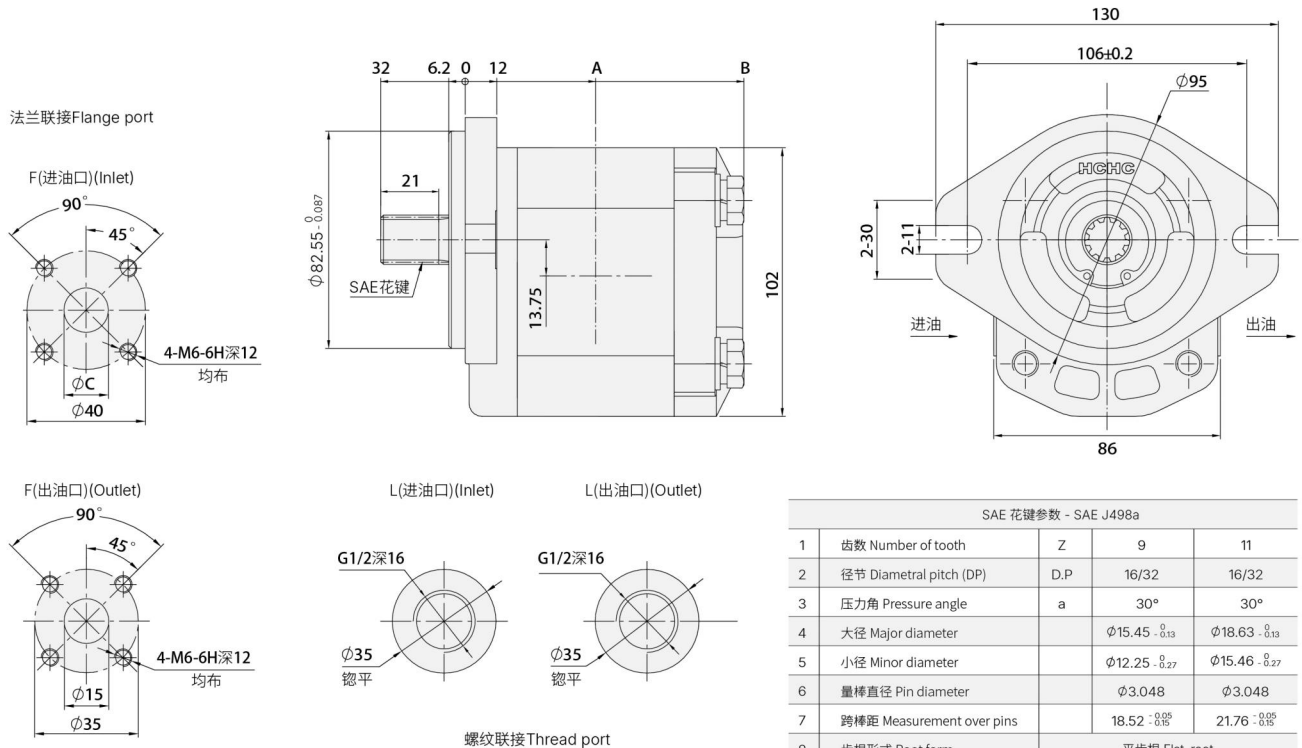
性能参数 Specification 注:图示为左旋 The diagram shows a left rotation (CCW)

型号 Model	理论排量 Displacement (mL/r)	A	B	压力 Pressure (MPa)		转速 Speed (r/min)			容积效率 Volumetric efficiency (≥%)	噪音值 Noise rating
				额定 Rated	最高 Max	最低 Min	额定 Rated	最高 Max		
CBXB2- F06- ****	6	52	112	20	25	300	1500	3600	94%	≤ 55dB
CBXB2- F08- ****	8	55	118							
CBXB2- F10- ****	10	57.5	123							

# CBXB3

超静音圆弧螺旋齿轮油泵  
ULTRA-QUIET HELICAL ROTOR PUMP

## 外形图 Outline Dimensions



SAE 花键参数 - SAE J498a				
1	齿数 Number of tooth	Z	9	11
2	径节 Diametral pitch (DP)	D.P	16/32	16/32
3	压力角 Pressure angle	a	30°	30°
4	大径 Major diameter		φ15.45 <sup>+0.13</sup>	φ18.63 <sup>+0.13</sup>
5	小径 Minor diameter		φ12.25 <sup>+0.27</sup>	φ15.46 <sup>+0.27</sup>
6	量棒直径 Pin diameter		φ3.048	φ3.048
7	跨棒距 Measurement over pins		18.52 <sup>+0.05</sup>	21.76 <sup>+0.05</sup>
8	齿根形式 Root form		平齿根 Flat root	

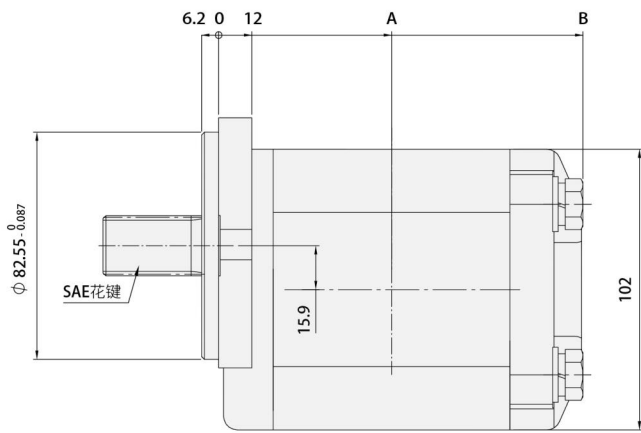
性能参数 Specification 注:图示为右旋 The diagram shows a right rotation (CW)

型号 Model	理论排量 Displacement (mL/r)	A	B	φC	压力 Pressure (MPa)		转速 Speed (r/min)			容积效率 Volumetric efficiency (≥%)	噪音值 Noise rating
					额定 Rated	最高 Max	最低 Min	额定 Rated	最高 Max		
CBXB3- F08- ****	8	49.55	106	15	20	25	300	2000	3000	94%	≤ 60dB
CBXB3- F10- ****	10	51.8	109.8	19							
CBXB3- F12- ****	12	53.8	113.8	19							
CBXB3- F16- ****	16	57.8	117.8	19							

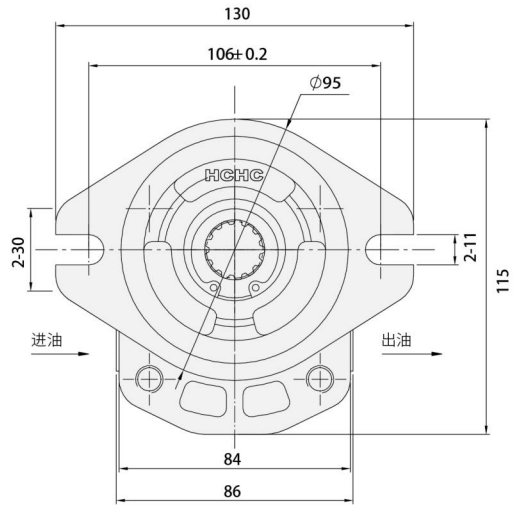
# CBXB4 超静音圆弧螺旋齿轮油泵

ULTRA-QUIET HELICAL ROTOR PUMP

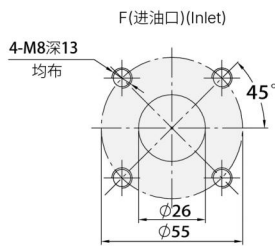
外形图 Outline Dimensions



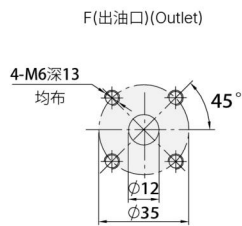
法兰联接 Flange port



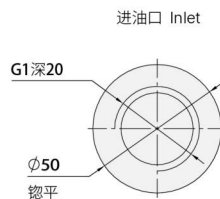
螺纹联接 Thread port



F(进油口)(Inlet)



F(出油口)(Outlet)



进油口 Inlet

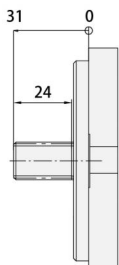


L(出油口)(Outlet)

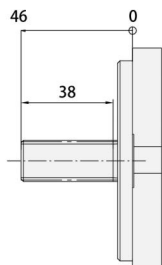


L1(出油口)(Outlet)

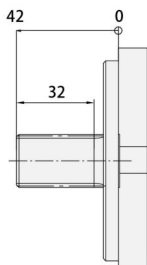
SAE花键9齿



SAE花键10齿



SAE花键13齿



SAE 花键参数 - SAE J498a					
1	齿数 Number of tooth	Z	9	10	13
2	径节 Diametral pitch (DP)	D.P	16/32	16/32	16/32
3	压力角 Pressure angle	a	30°	30°	30°
4	大径 Major diameter		φ15.45 <sup>±0.13</sup>	φ17.04 <sup>±0.13</sup>	φ21.81 <sup>±0.13</sup>
5	小径 Minor diameter		φ12.25 <sup>±0.27</sup>	φ13.87 <sup>±0.27</sup>	φ18.63 <sup>±0.27</sup>
6	量棒直径 Pin diameter		φ3.048	φ3.048	φ3.048
7	跨棒距 Measurement over pins		18.52 <sup>±0.05</sup>	20.36 <sup>±0.05</sup>	24.8 <sup>±0.05</sup>
8	齿根形式 Root form		平齿根 Flat root		

性能参数 Specification 注:图示为右旋 The diagram shows a right rotation (CW)

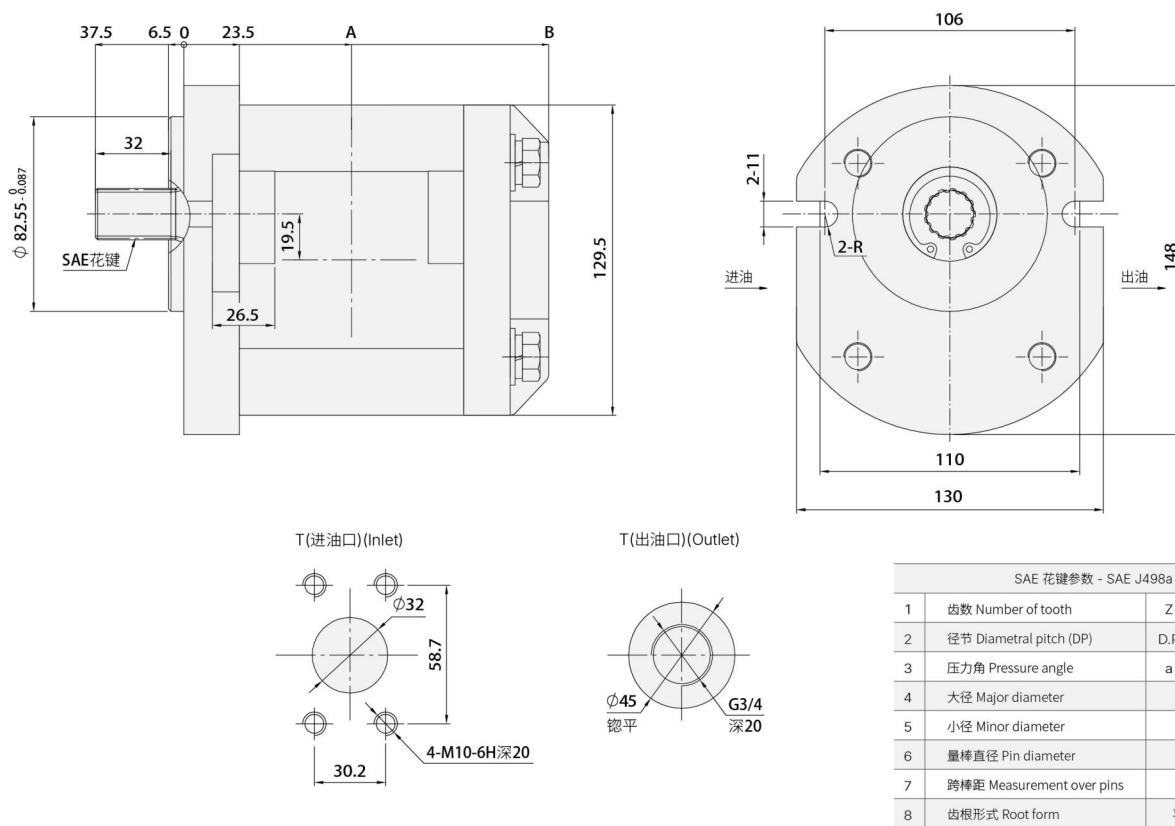
型号 Model	理论排量 Displacement (mL/r)	A	B	压力 Pressure (MPa)		转速 Speed (r/min)			容积效率 Volumetric efficiency (≥%)	噪音值 Noise rating
				额定 Rated	最高 Max	最低 Min	额定 Rated	最高 Max		
CBXB4- F16- ****	16	53.8	114.3	20	25	300	2000	4000	94%	≤ 60dB
CBXB4- F18- ****	18	55.3	116.8							
CBXB4- F20- ****	20	56.8	119.8							
CBXB4- F23- ****	23	58.8	123.8							
CBXB4- F25- ****	25	60.3	127							
CBXB4- F28- ****	28	62.8	123.8							

# CBXB5

## 超静音圆弧螺旋齿轮油泵

ULTRA-QUIET HELICAL ROTOR PUMP

外形图 Outline Dimensions



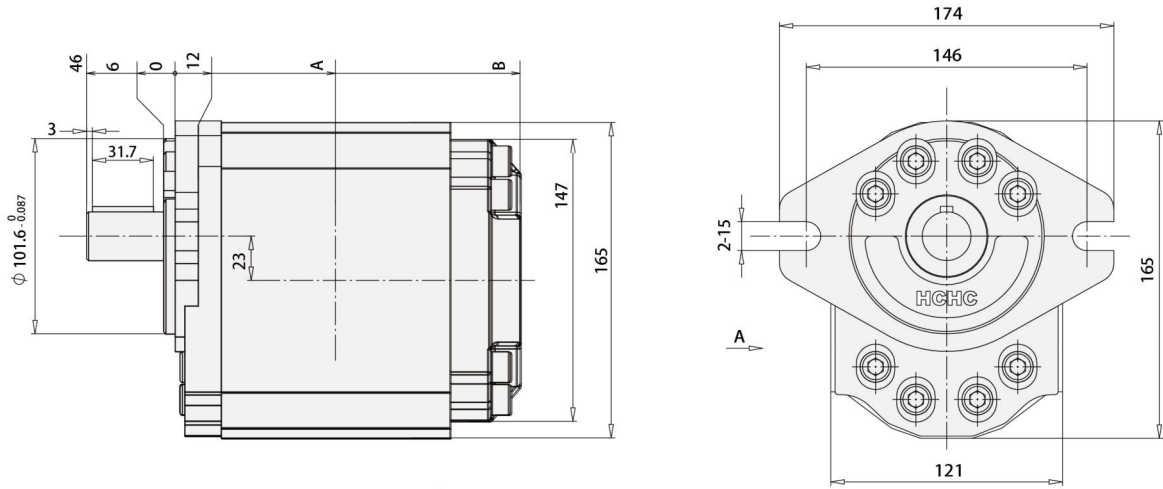
性能参数 Specification 注:图示为右旋 The diagram shows a right rotation (CW)

型号 Model	理论排量 Displacement (mL/r)	A	B	压力 Pressure (MPa)		转速 Speed (r/min)			容积效率 Volumetric efficiency (≥%)	噪音值 Noise rating
				额定 Rated	最高 Max	最低 Min	额定 Rated	最高 Max		
CBXB5- F25- ****	25	64	140.5	20	25	300	2000	3000	94%	≤ 60dB
CBXB5- F28- ****	28	65.5	143.5							
CBXB5- F32- ****	32	67	147.5							
CBXB5- F36- ****	36	69.5	151.5							
CBXB5- F40- ****	40	71.5	155.5							
CBXB5- F45- ****	45	74	160.5							
CBXB5- F50- ****	50	76.5	165.5							
CBXB5- F63- ****	63	95	202.5							

# CBXB6

超静音圆弧螺旋齿轮油泵  
ULTRA-QUIET HELICAL ROTOR PUMP

## 外形图 Outline Dimensions

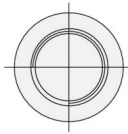


注：油口形式有法兰油口及螺纹油口供客户自选  
旋向有左、右旋供客户自选  
轴伸形式有平键、矩形花键及SAE花键供客户自选

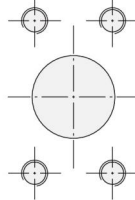
Note:

- Port types: flange ports and threaded ports are optional.
- Rotation: left-hand and right-hand rotation are optional.
- Shaft types: parallel key, rectangular spline and SAE spline are available upon customer selection.

螺纹油口形式  
Threaded port



法兰油口形式  
Flange port



平键形式  
Parallel key



矩形花键形式  
Rectangular spline



SAE花键形式  
SAE spline



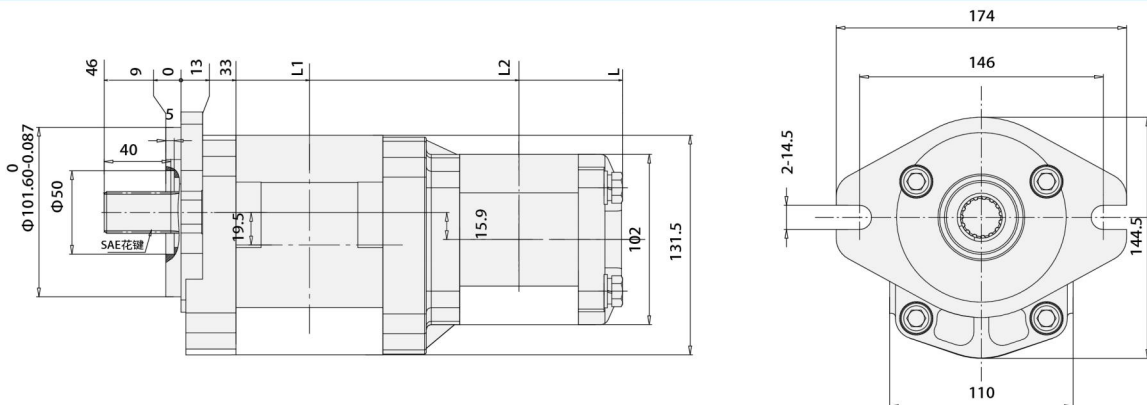
## 性能参数 Specification 注:图示为右旋 The diagram shows a right rotation (CW)

型号 Model	工程排量 Nominal Displacement (mL/r)	压力 Pressure (MPa)		转速 Speed (r/min)			A	B	容积效率 Volumetric efficiency (≥ %)	噪音值 Noise rating
		额定 Rated	最高 Max	最低 Min	额定 Rated	最高 Max				
CBXB6- F63- ****	63	20	25	600	1450	3000	79.25	171	92	68
CBXB6- F75- ****	75	20	25	600	1450	3000	83.5	179.5	92	68
CBXB6- F90- ****	90	20	25	600	1450	3000	88.5	189.5	92	68

# CBXBLA-A

超静音圆弧螺旋齿轮油泵  
ULTRA-QUIET HELICAL ROTOR PUMP

## 外形图 Outline Dimensions



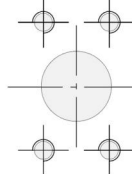
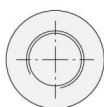
注：油口形式有法兰油口及螺纹油口供客户自选  
旋向有左、右旋供客户自选

螺纹油口形式  
Threaded port

法兰油口形式  
Flange port

Note:

- Port types: flange ports and threaded ports are optional.
- Rotation: left-hand and right-hand rotation are optional.



性能参数 Specification 注:图示为左旋 The diagram shows a left rotation (CCW)

型号 Model	工称排量 Nominal displacement (mL/r)	压力 Pressure (MPa)		转速 Speed (r/min)			L1	L2	L
		额定 Rated	最高 Max	最低 Min	额定 Rated	最高 Max			
CBXBLA-F28/F16-A***	28/16	20	25	500	2000	3000	75	197	257
CBXBLA-F28/F18-A***	28/18	20	25	500	2000	3000	75	198.5	260
CBXBLA-F28/F20-A***	28/20	20	25	500	2000	3000	75	200	263
CBXBLA-F28/F23-A***	28/23	20	25	500	2000	3000	75	202	267
CBXBLA-F28/F25-A***	28/25	20	25	500	2000	3000	75	203.5	270
CBXBLA-F28/F28-A***	28/28	20	25	500	2000	3000	75	206	275
CBXBLA-F30/F16-A***	30/16	20	25	500	2000	3000	76	199	259
CBXBLA-F30/F18-A***	30/18	20	25	500	2000	3000	76	200.5	262
CBXBLA-F30/F20-A***	30/20	20	25	500	2000	3000	76	202	265
CBXBLA-F30/F23-A***	30/23	20	25	500	2000	3000	76	204	269
CBXBLA-F30/F25-A***	30/25	20	25	500	2000	3000	76	205.5	272
CBXBLA-F30/F28-A***	30/28	20	25	500	2000	3000	76	208	277
CBXBLA-F32/F16-A***	32/16	20	25	500	2000	3000	77	201	261
CBXBLA-F32/F18-A***	32/18	20	25	500	2000	3000	77	202.5	264
CBXBLA-F32/F20-A***	32/20	20	25	500	2000	3000	77	204	267
CBXBLA-F32/F23-A***	32/23	20	25	500	2000	3000	77	206	271
CBXBLA-F32/F25-A***	32/25	20	25	500	2000	3000	77	207.5	274
CBXBLA-F32/F28-A***	32/28	20	25	500	2000	3000	77	210	279
CBXBLA-F36/F16-A***	36/16	20	25	500	2000	3000	79	205	265
CBXBLA-F36/F18-A***	36/18	20	25	500	2000	3000	79	206.5	268
CBXBLA-F36/F20-A***	36/20	20	25	500	2000	3000	79	208	271
CBXBLA-F36/F23-A***	36/23	20	25	500	2000	3000	79	210	275
CBXBLA-F36/F25-A***	36/25	20	25	500	2000	3000	79	211.5	278
CBXBLA-F36/F28-A***	36/28	20	25	500	2000	3000	79	214	283
CBXBLA-F40/F16-A***	40/16	20	25	500	2000	3000	81	209	269
CBXBLA-F40/F18-A***	40/18	20	25	500	2000	3000	81	210.5	272
CBXBLA-F40/F20-A***	40/20	20	25	500	2000	3000	81	212	275
CBXBLA-F40/F23-A***	40/23	20	25	500	2000	3000	81	214	279
CBXBLA-F40/F25-A***	40/25	20	25	500	2000	3000	81	215.5	282
CBXBLA-F40/F28-A***	40/28	20	25	500	2000	3000	81	218	287
CBXBLA-F45/F16-A***	45/16	20	25	500	2000	3000	83	213	273
CBXBLA-F45/F18-A***	45/18	20	25	500	2000	3000	83	214.5	276
CBXBLA-F45/F20-A***	45/20	20	25	500	2000	3000	83	216	279
CBXBLA-F45/F23-A***	45/23	20	25	500	2000	3000	83	218	283
CBXBLA-F45/F25-A***	45/25	20	25	500	2000	3000	83	219.5	286
CBXBLA-F45/F28-A***	45/28	20	25	500	2000	3000	83	222	291
CBXBLA-F50/F16-A***	50/16	20	25	500	2000	3000	86	219	279
CBXBLA-F50/F18-A***	50/18	20	25	500	2000	3000	86	220.5	282
CBXBLA-F50/F20-A***	50/20	20	25	500	2000	3000	86	222	285
CBXBLA-F50/F23-A***	50/23	20	25	500	2000	3000	86	224	289
CBXBLA-F50/F25-A***	50/25	20	25	500	2000	3000	86	225.5	292
CBXBLA-F50/F28-A***	50/28	20	25	500	2000	3000	86	228	297

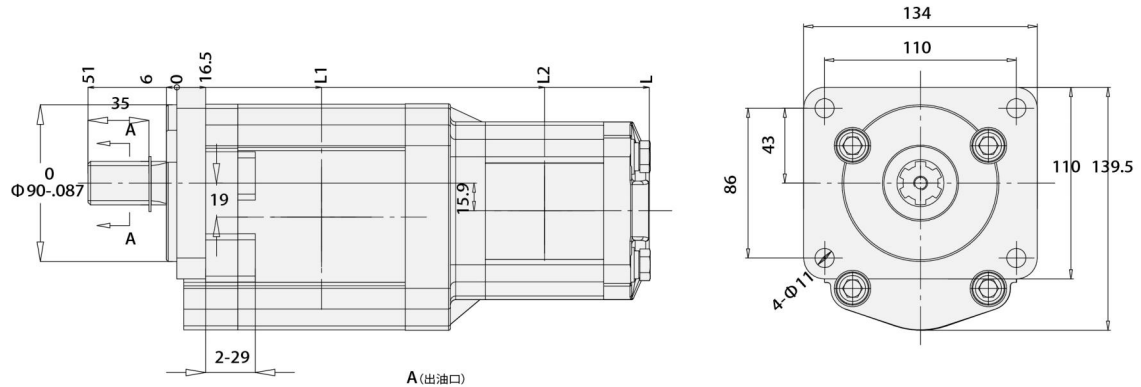
注：排量有：前泵 30-50(mL/r)、后泵 16-28(mL/r)可供客户自选

Note: Displacements are available as follows: Front pump: 30–50 mL/rev, Rear pump: 16–28 mL/rev.

# CBXBLA-B

超静音圆弧螺旋齿轮油泵  
ULTRA-QUIET HELICAL ROTOR PUMP

## 外形图 Outline Dimensions

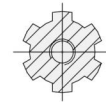
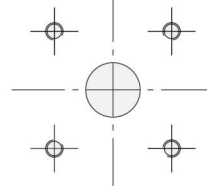
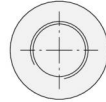


A (出油口)

螺纹油口形式  
Threaded port

法兰油口形式  
Flange port

A-A



注：油口形式有法兰油口及螺纹油口供客户自选  
旋向有左、右旋供客户自选

Note:

- Port types: flange ports and threaded ports are optional.
- Rotation: left-hand and right-hand rotation are optional.

性能参数 Specification 注:图示为左旋 The diagram shows a left rotation (CCW)

型号 Model	工称排量 Nominal displacement (mL/r)	压力 Pressure (MPa)		转速 Speed (r/min)			L1	L2	L
		额定 Rated	最高 Max	最低 Min	额定 Rated	最高 Max			
CBXBLA-F28/F16-B***	28/16	20	25	500	2000	3000	77	199	259
CBXBLA-F28/F18-B***	28/18	20	25	500	2000	3000	77	200.5	262
CBXBLA-F28/F20-B***	28/20	20	25	500	2000	3000	77	202	265
CBXBLA-F28/F23-B***	28/23	20	25	500	2000	3000	77	204	269
CBXBLA-F28/F25-B***	28/25	20	25	500	2000	3000	77	205.5	272
CBXBLA-F28/F28-B***	28/28	20	25	500	2000	3000	77	208	277
CBXBLA-F30/F16-B***	30/16	20	25	500	2000	3000	78	201	261
CBXBLA-F30/F18-B***	30/18	20	25	500	2000	3000	78	202.5	264
CBXBLA-F30/F20-B***	30/20	20	25	500	2000	3000	78	204	267
CBXBLA-F30/F23-B***	30/23	20	25	500	2000	3000	78	206	271
CBXBLA-F30/F25-B***	30/25	20	25	500	2000	3000	78	207.5	274
CBXBLA-F30/F28-B***	30/28	20	25	500	2000	3000	78	210	279
CBXBLA-F32/F16-B***	32/16	20	25	500	2000	3000	79	203	263
CBXBLA-F32/F18-B***	32/18	20	25	500	2000	3000	79	204.5	266
CBXBLA-F32/F20-B***	32/20	20	25	500	2000	3000	79	206	269
CBXBLA-F32/F23-B***	32/23	20	25	500	2000	3000	79	208	273
CBXBLA-F32/F25-B***	32/25	20	25	500	2000	3000	79	209.5	276
CBXBLA-F32/F28-B***	32/28	20	25	500	2000	3000	79	212	281
CBXBLA-F36/F16-B***	36/16	20	25	500	2000	3000	81	207	267
CBXBLA-F36/F18-B***	36/18	20	25	500	2000	3000	81	208.5	270
CBXBLA-F36/F20-B***	36/20	20	25	500	2000	3000	81	210	273
CBXBLA-F36/F23-B***	36/23	20	25	500	2000	3000	81	212	277
CBXBLA-F36/F25-B***	36/25	20	25	500	2000	3000	81	213.5	280
CBXBLA-F36/F28-B***	36/28	20	25	500	2000	3000	81	216	285
CBXBLA-F40/F16-B***	40/16	20	25	500	2000	3000	83	211	271

型号 Model	工称排量 Nominal displacement (mL/r)	压力 Pressure (MPa)		转速 Speed (r/min)			L1	L2	L
		额定 Rated	最高 Max	最低 Min	额定 Rated	最高 Max			
CBXBLA-F40/F18-B***	40/18	20	25	500	2000	3000	83	212.5	274
CBXBLA-F40/F20-B***	40/20	20	25	500	2000	3000	83	214	277
CBXBLA-F40/F23-B***	40/23	20	25	500	2000	3000	83	216	281
CBXBLA-F40/F25-B***	40/25	20	25	500	2000	3000	83	217.5	284
CBXBLA-F40/F28-B***	40/28	20	25	500	2000	3000	83	220	289
CBXBLA-F45/F16-B***	45/16	20	25	500	2000	3000	85	215	275
CBXBLA-F45/F18-B***	45/18	20	25	500	2000	3000	85	216.5	278
CBXBLA-F45/F20-B***	45/20	20	25	500	2000	3000	85	218	281
CBXBLA-F45/F23-B***	45/23	20	25	500	2000	3000	85	220	285
CBXBLA-F45/F25-B***	45/25	20	25	500	2000	3000	85	221.5	288
CBXBLA-F45/F28-B***	45/28	20	25	500	2000	3000	85	224	293
CBXBLA-F50/F16-B***	50/16	20	25	500	2000	3000	88	221	281
CBXBLA-F50/F18-B***	50/18	20	25	500	2000	3000	88	222.5	284
CBXBLA-F50/F20-B***	50/20	20	25	500	2000	3000	88	224	287
CBXBLA-F50/F23-B***	50/23	20	25	500	2000	3000	88	226	291
CBXBLA-F50/F25-B***	50/25	20	25	500	2000	3000	88	227.5	294
CBXBLA-F50/F28-B***	50/28	20	25	500	2000	3000	88	230	299

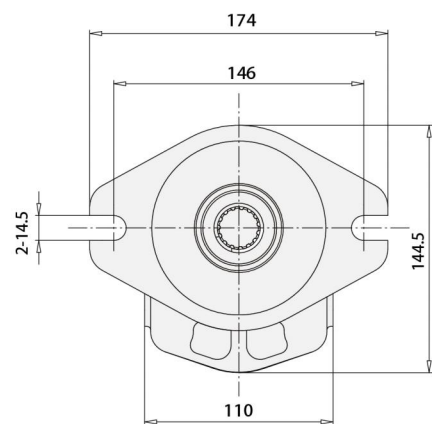
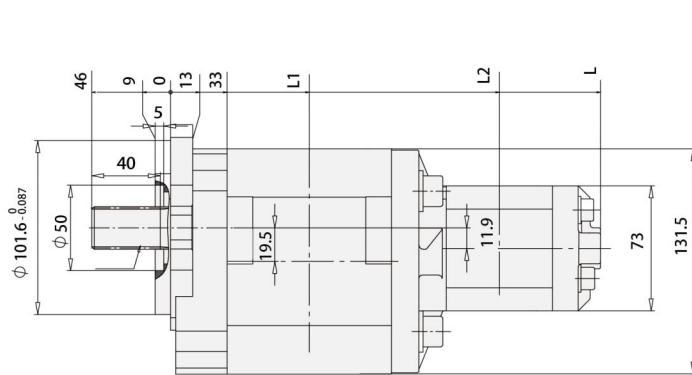
注：排量有：前泵 40-63(mL/r)、后泵 16-28(mL/r)可供客户自选

Note: Displacements are available as follows: Front pump: 40–63 mL/rev, Rear pump: 16–28 mL/rev.

## CBXBLB-A1 超静音圆弧螺旋齿轮油泵

ULTRA-QUIET HELICAL ROTOR PUMP

### 外形图 Outline Dimensions

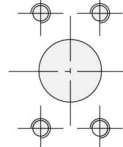


螺纹油口形式  
Threaded port

法兰油口形式  
Flange port

注：油口形式有法兰油口及螺纹油口供客户自选  
旋向有左、右旋供客户自选

Note:  
• Port types: flange ports and threaded ports are optional.  
• Rotation: left-hand and right-hand rotation are optional.



SAE花键形式  
SAE spline



矩形花键形式  
Rectangular spline



平键形式  
Parallel key

性能参数 Specification 注:图示为右旋 The diagram shows a right rotation (CW)

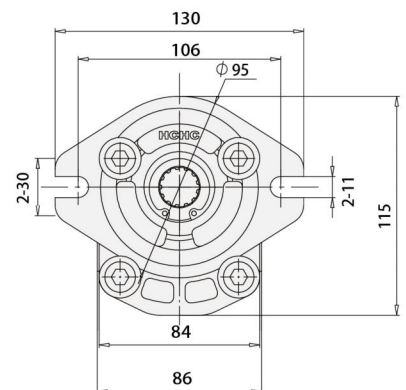
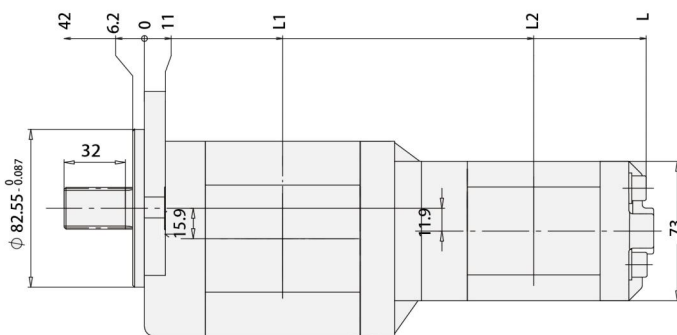
型号 Model	工称排量 Nominal displacement (mL/r)	压力 Pressure (MPa)		转速 Speed (r/min)			L1	L2	L
		额定 Rated	最高 Max	最低 Min	额定 Rated	最高 Max			
								(mm)	
CBXBLB-F28/F06-A1***	28/06	23	28	500	2000	3000	75	181	241
CBXBLB-F28/F08-A1***	28/08	23	28	500	2000	3000	75	184	247
CBXBLB-F28/F10-A1***	28/10	23	28	500	2000	3000	75	186.5	252
CBXBLB-F30/F06-A1***	30/06	23	28	500	2000	3000	76	183	243
CBXBLB-F30/F08-A1***	30/08	23	28	500	2000	3000	76	186	249
CBXBLB-F30/F10-A1***	30/10	23	28	500	2000	3000	76	188.5	254
CBXBLB-F32/F06-A1***	32/06	23	28	500	2000	3000	77	185	245
CBXBLB-F32/F08-A1***	32/08	23	28	500	2000	3000	77	188	251
CBXBLB-F32/F10-A1***	32/10	23	28	500	2000	3000	77	290.5	256
CBXBLB-F36/F06-A1***	36/06	23	28	500	2000	3000	79	189	249
CBXBLB-F36/F08-A1***	36/08	23	28	500	2000	3000	79	192	255
CBXBLB-F36/F10-A1***	36/10	23	28	500	2000	3000	79	194.5	260
CBXBLB-F40/F06-A1***	40/06	23	28	500	2000	3000	81	193	253
CBXBLB-F40/F08-A1***	40/08	23	28	500	2000	3000	81	196	259
CBXBLB-F40/F10-A1***	40/10	23	28	500	2000	3000	81	198.5	264
CBXBLB-F45/F06-A1***	45/06	23	28	500	2000	3000	83	197	257
CBXBLB-F45/F08-A1***	45/08	23	28	500	2000	3000	83	200	263
CBXBLB-F45/F10-A1***	45/10	23	28	500	2000	3000	83	202.5	268
CBXBLB-F50/F06-A1***	50/06	23	28	500	2000	3000	86	203	263
CBXBLB-F50/F08-A1***	50/08	23	28	500	2000	3000	86	206	269
CBXBLB-F50/F10-A1***	50/10	23	28	500	2000	3000	86	208.5	274

注：排量有：前泵 28-50(mL/r)、后泵4.5-08(mL/r)可供客户自选

Note: Displacements are available as follows: Front pump: 28-50 mL/rev, Rear pump: 4.5-08 mL/rev.

**CBXBLC-A** 超静音圆弧螺旋齿轮油泵  
ULTRA-QUIET HELICAL ROTOR PUMP

外形图 Outline Dimensions



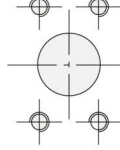
注：油口形式有法兰油口及螺纹油口供客户自选  
旋向有左、右旋供客户自选

Note:  
• Port types: flange ports and threaded ports are optional.  
• Rotation: left-hand and right-hand rotation are optional.

螺纹油口形式  
Threaded port



法兰油口形式  
Flange port



性能参数 Specification 注:图示为右旋 The diagram shows a right rotation (CW)

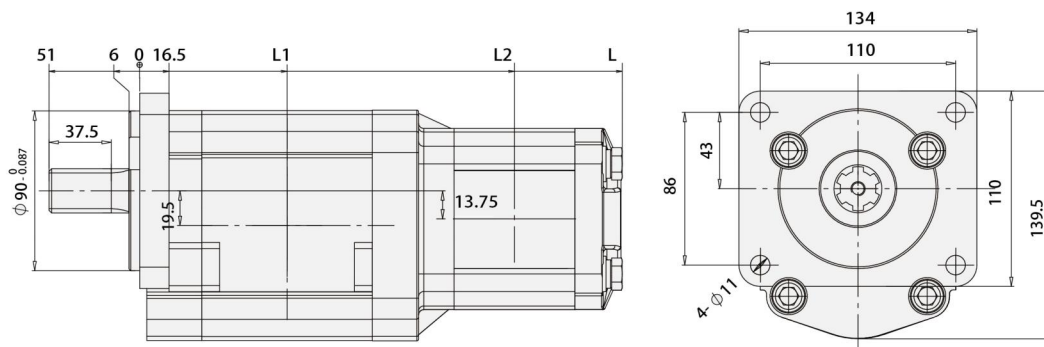
型号 Model	工称排量 Nominal displacement (mL/r)	压力 Pressure (MPa)		转速 Speed (r/min)			L1	L2	L
		额定 Rated	最高 Max	最低 Min	额定 Rated	最高 Max			
CBXBLC-F16/F06-A***	16/06	20	25	600	1500	2000	65.8	184.8	244.8
CBXBLC-F16/F08-A***	16/08	20	25	600	1500	2000	65.8	187.8	250.8
CBXBLC-F16/F10-A***	16/10	20	25	600	1500	2000	65.8	190.3	255.8
CBXBLC-F18/F06-A***	18/06	20	25	600	1500	2000	67.3	187.8	247.8
CBXBLC-F18/F08-A***	18/08	20	25	600	1500	2000	67.3	190.8	253.8
CBXBLC-F18/F10-A***	18/10	20	25	600	1500	2000	67.3	193.3	258.8
CBXBLC-F20/F06-A***	20/06	20	25	600	1500	2000	68.8	190.8	250.8
CBXBLC-F20/F08-A***	20/08	20	25	600	1500	2000	68.8	193.8	256.8
CBXBLC-F20/F10-A***	20/10	20	25	600	1500	2000	68.8	196.3	261.8
CBXBLC-F23/F06-A***	23/06	20	25	600	1500	2000	70.8	194.8	254.8
CBXBLC-F23/F08-A***	23/08	20	25	600	1500	2000	70.8	197.8	260.8
CBXBLC-F23/F10-A***	23/10	20	25	600	1500	2000	70.8	200.3	265.8
CBXBLC-F25/F06-A***	25/06	20	25	600	1500	2000	72.3	197.8	257.8
CBXBLC-F25/F08-A***	25/08	20	25	600	1500	2000	72.3	200.8	263.8
CBXBLC-F25/F10-A***	25/10	20	25	600	1500	2000	72.3	203.3	268.8
CBXBLC-F28/F06-A***	28/06	20	25	600	1500	2000	74.8	202.8	262.8
CBXBLC-F28/F08-A***	28/08	20	25	600	1500	2000	74.8	205.8	268.8
CBXBLC-F28/F10-A***	28/10	20	25	600	1500	2000	74.8	208.3	273.8

注：排量有：前泵 13-28(mL/r)、后泵4.5-08(mL/r)可供客户自选

Note: Displacements are available as follows: Front pump: 13–28 mL/rev, Rear pump: 4.5–08 mL/rev.

## CBXBLD-B 超静音圆弧螺旋齿轮油泵 ULTRA-QUIET HELICAL ROTOR PUMP

### 外形图 Outline Dimensions



注：油口形式有法兰油口及螺纹油口供客户自选  
旋向有左、右旋供客户自选

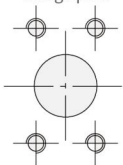
Note:

- Port types: flange ports and threaded ports are optional.
- Rotation: left-hand and right-hand rotation are optional.

螺纹油口形式  
Threaded port



法兰油口形式  
Flange port



SAE花键形式  
SAE spline



矩形花键形式  
Rectangular spline



平键形式  
Parallel key

性能参数 Specification 注:图示为右旋 The diagram shows a right rotation (CW)

型号 Model	工称排量 Nominal displacement (mL/r)	压力 Pressure (MPa)		转速 Speed (r/min)			L1	L2	L
		额定 Rated	最高 Max	最低 Min	额定 Rated	最高 Max			
									(mm)
CBXBLD-F28/F08-B***	28/08	20	25	500	1500	2500	77	194.75	250.5
CBXBLD-F28/F10-B***	28/10	20	25	500	1500	2500	77	197	255
CBXBLD-F28/F12-B***	28/12	20	25	500	1500	2500	77	199	259
CBXBLD-F28/F16-B***	28/16	20	25	500	1500	2500	77	203	267
CBXBLD-F30/F08-B***	30/08	20	25	500	1500	2500	78	196.75	252.5
CBXBLD-F30/F10-B***	30/10	20	25	500	1500	2500	78	199	257
CBXBLD-F30/F12-B***	30/12	20	25	500	1500	2500	78	201	261
CBXBLD-F30/F16-B***	30/16	20	25	500	1500	2500	78	205	269
CBXBLD-F32/F08-B***	32/08	20	25	500	1500	2500	79	198.75	254.5
CBXBLD-F32/F10-B***	32/10	20	25	500	1500	2500	79	201	259
CBXBLD-F32/F12-B***	32/12	20	25	500	1500	2500	79	203	263
CBXBLD-F32/F16-B***	32/16	20	25	500	1500	2500	79	207	271
CBXBLD-F36/F08-B***	36/08	20	25	500	1500	2500	81	202.75	258.5
CBXBLD-F36/F10-B***	36/10	20	25	500	1500	2500	81	205	263
CBXBLD-F36/F12-B***	36/12	20	25	500	1500	2500	81	207	267
CBXBLD-F36/F16-B***	36/16	20	25	500	1500	2500	81	211	275
CBXBLD-F40/F08-B***	40/08	20	25	500	1500	2500	83	206.75	262.5
CBXBLD-F40/F10-B***	40/10	20	25	500	1500	2500	83	209	267
CBXBLD-F40/F12-B***	40/12	20	25	500	1500	2500	83	211	271
CBXBLD-F40/F16-B***	40/16	20	25	500	1500	2500	83	215	279
CBXBLD-F45/F08-B***	45/08	20	25	500	1500	2500	85	210.75	266.5
CBXBLD-F45/F10-B***	45/10	20	25	500	1500	2500	85	213	271
CBXBLD-F45/F12-B***	45/12	20	25	500	1500	2500	85	245	275
CBXBLD-F45/F16-B***	45/16	20	25	500	1500	2500	85	219	283
CBXBLD-F50/F08-B***	50/08	20	25	500	1500	2500	88	216.75	272.5
CBXBLD-F50/F10-B***	50/10	20	25	500	1500	2500	88	219	277
CBXBLD-F50/F12-B***	50/12	20	25	500	1500	2500	88	221	281
CBXBLD-F50/F16-B***	50/16	20	25	500	1500	2500	88	225	289

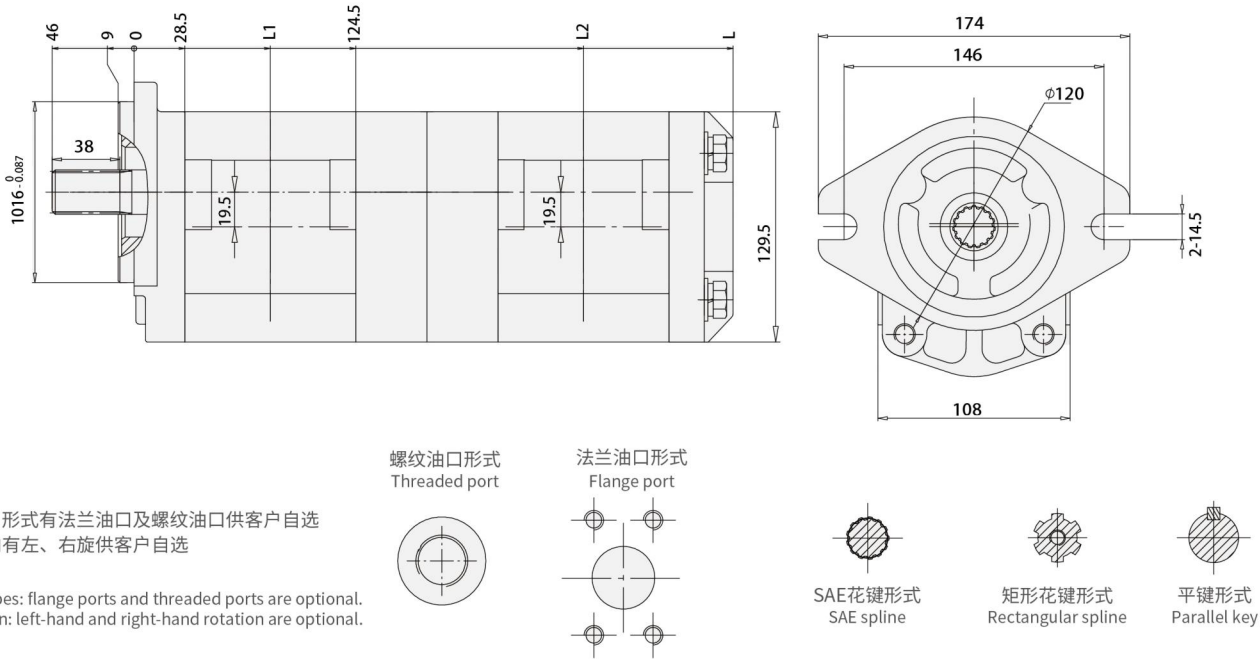
注：排量有：前泵 28-50(mL/r)、后泵06-12(mL/r)可供客户自选

Note: Displacements are available as follows: Front pump: 28–50 mL/rev, Rear pump: 06–12 mL/rev.

# CBXBLE-A2 超静音圆弧螺旋齿轮油泵

ULTRA-QUIET HELICAL ROTOR PUMP

## 外形图 Outline Dimensions



## 性能参数 Specification 注:图示为右旋 The diagram shows a right rotation (CW)

型号 Model	工称排量 Nominal displacement (mL/r)	压力 Pressure (MPa)		转速 Speed (r/min)		L1	L2	L	
		额定 Rated	最高 Max	最低 Min	额定 Rated				最高 Max
CBXBLE-F28/F28-A2***	28/28	20	25	600	2000	3000	70.5	234.5	312.5
CBXBLE-F28/F30-A2***	28/30	20	25	600	2000	3000	70.5	235.5	314.5
CBXBLE-F28/F32-A2***	28/32	20	25	600	2000	3000	70.5	236.5	316.5
CBXBLE-F28/F36-A2***	28/36	20	25	600	2000	3000	70.5	238.5	320.5
CBXBLE-F28/F40-A2***	28/40	20	25	600	2000	3000	70.5	240.5	324.5
CBXBLE-F28/F45-A2***	28/45	20	25	600	2000	3000	70.5	242.5	328.5
CBXBLE-F28/F50-A2***	28/50	20	25	600	2000	3000	70.5	245.5	334.5
CBXBLE-F30/F28-A2***	30/28	20	25	600	2000	3000	71.5	236.5	314.5
CBXBLE-F30/F30-A2***	30/30	20	25	600	2000	3000	71.5	237.5	316.5
CBXBLE-F30/F32-A2***	30/32	20	25	600	2000	3000	71.5	238.5	318.5
CBXBLE-F30/F36-A2***	30/36	20	25	600	2000	3000	71.5	240.5	322.5
CBXBLE-F30/F40-A2***	30/40	20	25	600	2000	3000	71.5	242.5	326.5
CBXBLE-F30/F45-A2***	30/45	20	25	600	2000	3000	71.5	244.5	330.5
CBXBLE-F30/F50-A2***	30/50	20	25	600	2000	3000	71.5	247.5	336.5
CBXBLE-F32/F28-A2***	32/28	20	25	600	2000	3000	72.5	238.5	316.5
CBXBLE-F32/F30-A2***	32/30	20	25	600	2000	3000	72.5	239.5	318.5
CBXBLE-F32/F32-A2***	32/32	20	25	600	2000	3000	72.5	240.5	320.5
CBXBLE-F32/F36-A2***	32/36	20	25	600	2000	3000	72.5	242.5	324.5
CBXBLE-F32/F40-A2***	32/40	20	25	600	2000	3000	72.5	244.5	328.5
CBXBLE-F32/F45-A2***	32/45	20	25	600	2000	3000	72.5	246.5	332.5
CBXBLE-F32/F50-A2***	32/50	20	25	600	2000	3000	72.5	249.5	338.5
CBXBLE-F36/F28-A2***	36/28	20	25	600	2000	3000	74.5	242.5	320.5
CBXBLE-F36/F30-A2***	36/30	20	25	600	2000	3000	74.5	243.5	322.5

型号 Model	工称排量 Nominal displacement (mL/r)	压力 Pressure (MPa)		转速 Speed (r/min)			L1	L2	L
		额定 Rated	最高 Max	最低 Min	额定 Rated	最高 Max			
		(mm)							
CBXBLE-F36/F32-A2***	36/32	20	25	600	2000	3000	74.5	244.5	324.5
CBXBLE-F36/F36-A2***	36/36	20	25	600	2000	3000	74.5	246.5	328.5
CBXBLE-F36/F40-A2***	36/40	20	25	600	2000	3000	74.5	248.5	332.5
CBXBLE-F36/F45-A2***	36/45	20	25	600	2000	3000	74.5	250.5	336.5
CBXBLE-F36/F50-A2***	36/50	20	25	600	2000	3000	74.5	253.5	342.5
CBXBLE-F40/F28-A2***	40/28	20	25	600	2000	3000	76.5	246.5	324.5
CBXBLE-F40/F30-A2***	40/30	20	25	600	2000	3000	76.5	247.5	326.5
CBXBLE-F40/F32-A2***	40/32	20	25	600	2000	3000	76.5	248.5	328.5
CBXBLE-F40/F36-A2***	40/36	20	25	600	2000	3000	76.5	250.5	332.5
CBXBLE-F40/F40-A2***	40/40	20	25	600	2000	3000	76.5	252.5	336.5
CBXBLE-F40/F45-A2***	40/45	20	25	600	2000	3000	76.5	254.5	338.5
CBXBLE-F40/F50-A2***	40/50	20	25	600	2000	3000	76.5	257.5	346.5
CBXBLE-F45/F28-A2***	45/28	20	25	600	2000	3000	78.5	250.5	328.5
CBXBLE-F45/F30-A2***	45/30	20	25	600	2000	3000	78.5	251.5	330.5
CBXBLE-F45/F32-A2***	45/32	20	25	600	2000	3000	78.5	252.5	332.5
CBXBLE-F45/F36-A2***	45/36	20	25	600	2000	3000	78.5	254.5	336.5
CBXBLE-F45/F40-A2***	45/40	20	25	600	2000	3000	78.5	256.5	340.5
CBXBLE-F45/F45-A2***	45/45	20	25	600	2000	3000	78.5	258.5	344.5
CBXBLE-F45/F50-A2***	45/50	20	25	600	2000	3000	78.5	261.5	350.5
CBXBLE-F50/F28-A2***	50/28	20	25	600	2000	3000	81.5	256.5	334.5
CBXBLE-F50/F30-A2***	50/30	20	25	600	2000	3000	81.5	257.5	336.5
CBXBLE-F50/F32-A2***	50/32	20	25	600	2000	3000	81.5	258.5	338.5
CBXBLE-F50/F36-A2***	50/36	20	25	600	2000	3000	81.5	260.5	342.5
CBXBLE-F50/F40-A2***	50/40	20	25	600	2000	3000	81.5	262.5	346.5
CBXBLE-F50/F45-A2***	50/45	20	25	600	2000	3000	81.5	264.5	350.5
CBXBLE-F50/F50-A2***	50/50	20	25	600	2000	3000	81.5	267.5	356.5

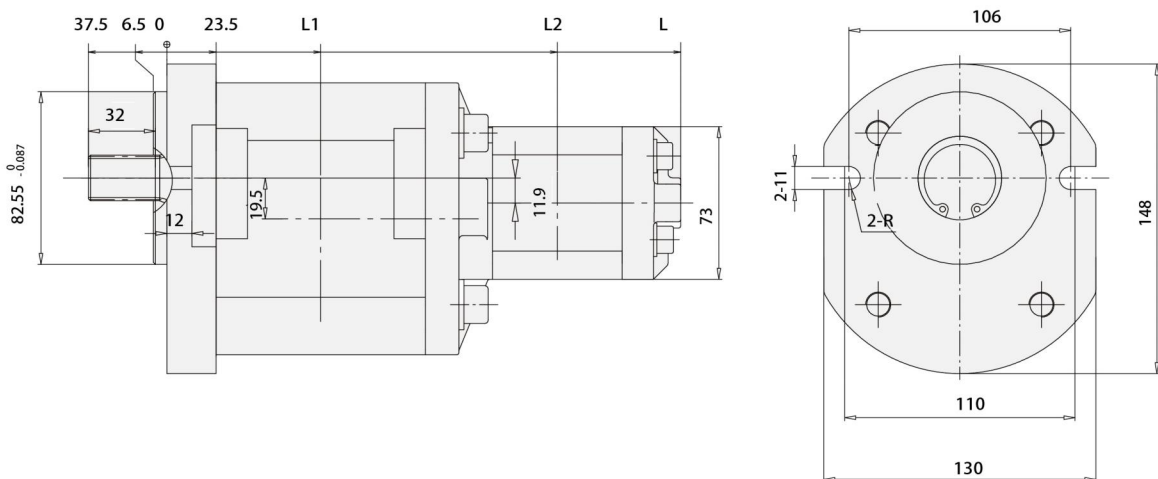
注：排量有：前泵 28-50(mL/r)、后泵28-50(mL/r)可供客户自选

Note: Displacements are available as follows: Front pump: 28-50 mL/rev, Rear pump: 28-50 mL/rev.

# CBXBL-A

超静音圆弧螺旋齿轮油泵  
ULTRA-QUIET HELICAL ROTOR PUMP

## 外形图 Outline Dimensions



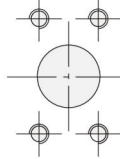
注：进油口数量有壹口/贰口供客户自选  
油口形式有法兰油口及螺纹油口供客户自选  
旋向有左、右旋供客户自选

- Note:
- Inlet quantity: 1 or 2 ports are optional.
  - Port types: flange ports and threaded ports are optional.
  - Rotation: left-hand and right-hand rotation are optional.

螺纹油口形式  
Threaded port



法兰油口形式  
Flange port



性能参数 Specification 注:图示为右旋 The diagram shows a right rotation (CW)

型号 Model	工称排量 Nominal displacement (mL/r)	压力 Pressure (MPa)		转速 Speed (r/min)			L1	L2	L
		额定 Rated	最高 Max	最低 Min	额定 Rated	最高 Max			
CBXBL-F28/F06-A***	28/06	23	28	500	1500	2300	65.5	171.5	231.5
CBXBL-F28/F08-A***	28/08	23	28	500	1500	2300	65.5	174.5	237.5
CBXBL-F28/F10-A***	28/10	23	28	500	1500	2300	65.5	175	242.5
CBXBL-F30/F06-A***	30/06	23	28	500	1500	2300	66.5	173.5	233.5
CBXBL-F30/F08-A***	30/08	23	28	500	1500	2300	66.5	176.5	239.5
CBXBL-F30/F10-A***	30/10	23	28	500	1500	2300	66.5	179	244.5
CBXBL-F32/F06-A***	32/06	23	28	500	1500	2300	67.5	175.5	235.5
CBXBL-F32/F08-A***	32/08	23	28	500	1500	2300	67.5	178.5	241.5
CBXBL-F32/F10-A***	32/10	23	28	500	1500	2300	67.5	181	246.5
CBXBL-F36/F06-A***	36/06	23	28	500	1500	2300	69.5	179.5	239.5
CBXBL-F36/F08-A***	36/08	23	28	500	1500	2300	69.5	182.5	245.5
CBXBL-F36/F10-A***	36/10	23	28	500	1500	2300	69.5	185	250.5
CBXBL-F40/F06-A***	40/06	23	28	500	1500	2300	71.5	183.5	243.5
CBXBL-F40/F08-A***	40/08	23	28	500	1500	2300	71.5	186.5	249.5
CBXBL-F40/F10-A***	40/10	23	28	500	1500	2300	71.5	189	254.5
CBXBL-F45/F06-A***	45/06	23	28	500	1500	2300	73.5	187.5	247.5
CBXBL-F45/F08-A***	45/08	23	28	500	1500	2300	73.5	190.5	253.5
CBXBL-F45/F10-A***	45/10	23	28	500	1500	2300	73.5	193	258.5
CBXBL-F50/F06-A***	50/06	23	28	500	1500	2300	76.5	193.5	253.5
CBXBL-F50/F08-A***	50/08	23	28	500	1500	2300	76.5	196.5	259.5
CBXBL-F50/F10-A***	50/10	23	28	500	1500	2300	76.5	199	264.5

注：排量有：前泵 28-50(mL/r)、后泵4.5-08(mL/r)可供客户自选

Note: Displacements are available as follows: Front pump: 28-50 mL/rev, Rear pump: 4.5-08 mL/rev.

## 合肥长源液压股份有限公司

公司地址：中国安徽省合肥市当涂北路瑶海工业园珍珠路

传真：+86- 551- 64391155

国内市场电话：4008-123- 910

+86- 551- 64391100 +86- 551- 64391122

邮箱：sale@hchc.cn

国际市场电话：+86- 551- 64396718

邮箱：export01@hchc.cn

售后支持热线：400- 887- 9946

相关链接：

<https://ahhchc.1688.com>

<http://ahhchc.en.made-in-china.com>

## Hefei Changyuan Hydraulic CO.,LTD.

Company address：Yaohai Industrial Park,North Dangtu Road,Hefei,China

Fax: +86- 551- 64391155

Domestic market telephone: 4008-123- 910

+86- 551- 64391100 +86- 551- 64391122

E- mail: sale@hchc.cn

International market Tel.: +86- 551- 64396718

E- mail: export01@hchc.cn

After service : 400- 887- 9946

Related links:

<https://ahhchc.1688.com>

<http://ahhchc.en.made-in-china.com>



长源液压公众号  
Official WeChat



官网二维码  
Scan to Visit Our Website