

超静音螺旋式 齿轮油泵

ULTRA-QUIET
HELICAL ROTOR PUMP





关于长源液压

ABOUT HCHC

公司成立于1966年,主要产品包括液压泵、液压马达、液压阀、液压油缸和液压系统及控制等五大类。

产品全产业链高度自主,具有铸造、锻造、热处理、电镀、喷涂、核心材料研究及核心零部件加工制造等能力,总占地约300余亩。产品共200多个系列、4500余种规格,具有较强的综合配套供应和服务能力。总年产量可达100万多套。产品广泛应用于工程机械、工业车辆(叉车)、专用车辆、现代农业机械及其它非移动领域等。

Founded in 1966, the company's main products include five categories: hydraulic pumps, hydraulic motors, hydraulic valves, hydraulic cylinders and hydraulic system & control.

The whole industry chain of products is highly independent, with the ability of casting, forging, heat treatment, electroplating, spraying painting, core material research and core parts processing and manufacturing, covering total area of about 200,000m².The products total more than 200 series with more than 4500 specifications, with a strong comprehensive capacity in supplying and service .The total annual output can reach more than 1 million pcs. Products are widely used in construction machinery, industrial vehicles (forklifts), special vehicles, modern agricultural machinery and other non-mobile fields.



超静音螺旋齿轮泵简介

INTRODUCTION OF ULTRA-QUIET HELICAL ROTOR PUMP

CBXB超静音螺旋齿轮泵适用于电机驱动液压系统的各种场景，在工业自动化、工业车辆、高空作业、石油化工、船舶海工等领域不同工作状态下的降噪和容积效率都能表现得十分优异，能够提供高效、稳定、低噪音的动力支持，为客户提供更优质的工作体验和环境。

CBXB ultra-quiet helical rotor pump is suitable for various applications of motor driven hydraulic system, and can perform excellently in noise reduction and volumetric efficiency under different working conditions in various fields, such as industrial automation, Industrial vehicles, aerial work, petrochemical industry and marine offshore, etc., and are able to provide high-efficiency, stable, and low-noise power support, and provide customers with a better working experience and environment.

超静音螺旋齿轮泵应用领域 APPLICATION OF CBXB PUMPS



工业自动化
Industrial automation



工业车辆
Industrial vehicles



高空作业
Aerial work



石油化工
Petrochemical industry



船舶海工
Marine offshore



CBXB2



CBXB3



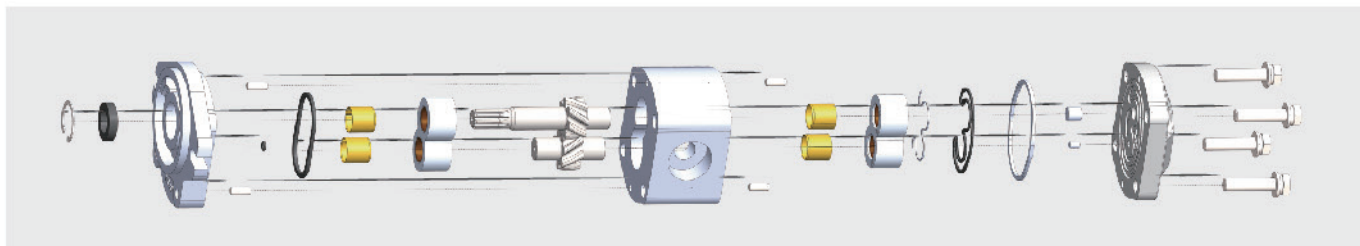
CBXB4



CBXB5

超静音螺旋齿轮泵特性说明

CHARACTERISTICS OF ULTRA-QUIET HELICAL ROTOR PUMP



- 自主设计曲线参数高精度螺旋齿轮产品的静音性能, 额定工况噪音低于55dB (A);
 - 前端盖缩小高压区, 后端盖高压销轴消除径向力机构, 结合专用浮动轴套, 整体承载能力强, 可靠性高;
 - 减少泵在使用时的脉动以及震动同时不会造成能量的逸散;
 - 容积效率更高, 同时在低速运转下减少消耗, 在同样能量节流的情况下能够以不同的速度运转;
 - 通过消除噪音控制措施来节省成本。
- Self-designed curve parameters of high-precision helical rotor product, rated working condition noise is less than 55dB (A);
 - Narrow the high pressure area of front end cover, eliminate radial force through the high pressure pin of rear end cover, combined with a special floating bushing, resulted in the overall load-bearing capacity is strong and high reliability;
 - Reduce the pulsation and vibration when the pump is in use without causing energy dissipation;
 - Higher volumetric efficiency, reduced consumption at low speed, and the ability to operate at different speeds with the same energy throttling.
 - Cost savings by eliminating noise control measures

超静音螺旋齿轮泵型号说明

MODEL CODE OF ULTRA-QUIET HELICAL ROTOR PUMP

C B X B * - * ** - * * * *

① ② ③ ④ ⑤ ⑥ ⑦ ⑧

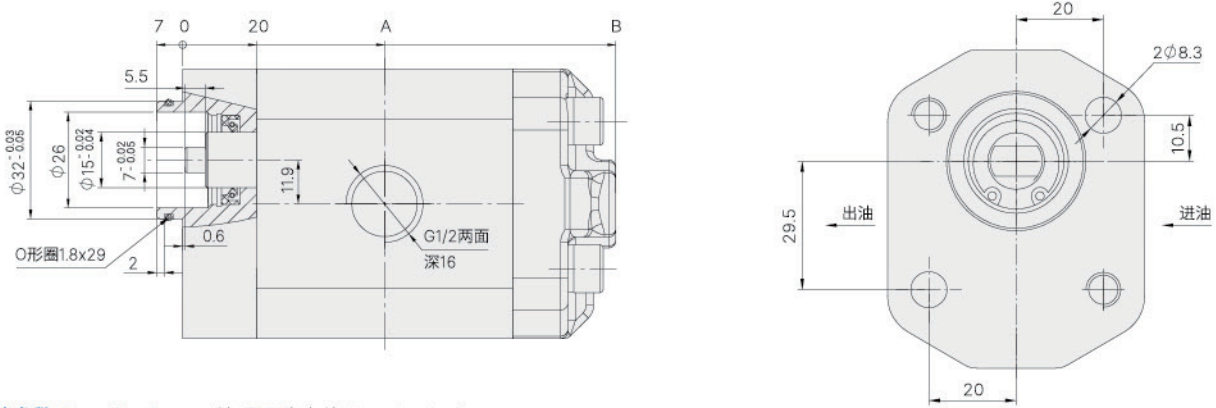
- ① 产品代号 Product code CBXB
- ② 产品系列 Pressure series 2 3 4 5
- ③ 压力等级 Pressure grade A 1MPa B 2.5MPa C 6.3MPa D 10MPa E 16MPa F 20MPa
G 25MPa H 31.5MPa 部分型号可省略
- ④ 公称排量 Nominal displacement (mL/r)
- ⑤ 安装形式 SAE spline Mounting A 菱形法兰Oval B 方方法兰Square C 矩形法兰Rectangle T 特殊法兰 Special
- ⑥ 油口形式 joining port L 螺纹油口 Screw F 法兰油口 Flange T 特殊油口 Special
- ⑦ 轴伸形式 Shaft end P 平键 Plain Key H 矩形花键 Rectangle spline Z 锥轴半圆键 Taper shaft woodruff
X 渐开线花键 Involute spline φSAE花键 SAE spline B 扁键 Flat end T 特殊轴伸 Special shaft end
- ⑧ 旋转方向 Rotation L 左旋 Left R 右旋 Right (省略)

CBXB2 超静音螺旋式齿轮油泵

ULTRA-QUIET HELICAL ROTOR PUMP



外形图 Outline Dimensions



性能参数 Specification 注:图示为左旋 Rotation:Left

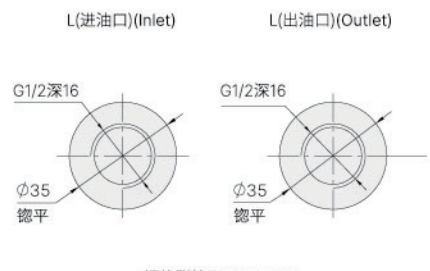
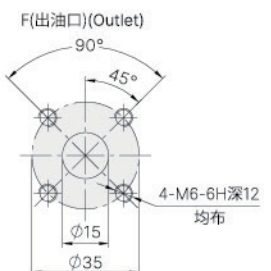
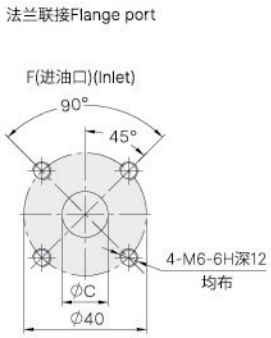
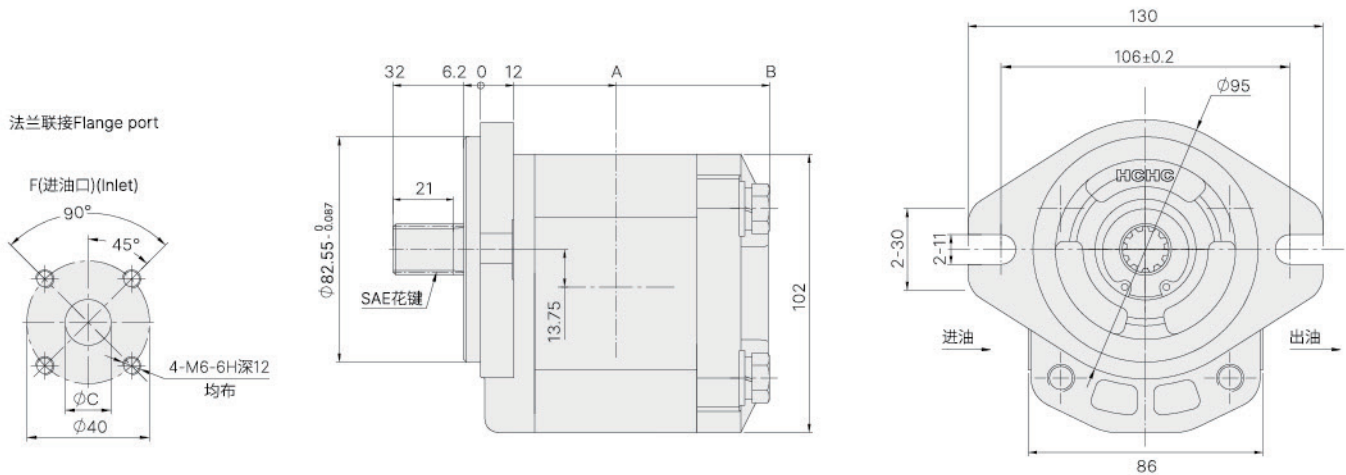
型号 Model	理论排量 Displacement (mL/r)	A	B	压力 Pressure (MPa)		转速 Speed (r/min)			容积效率 Volumetric efficiency (≥%)	噪音值 Noise rating
				额定 Rated	最高 Max	最低 Min	额定 Rated	最高 Max		
CBXB2-F06-****	6	52	112	20	25	300	1500	3600	94%	≤ 55dB
CBXB2-F08-****	8	55	118							
CBXB2-F10-****	10	57.5	123							

CBXB3 超静音螺旋式齿轮油泵

ULTRA-QUIET HELICAL ROTOR PUMP



外形图 Outline Dimensions



SAE 花键参数 - SAE J498a			
1	齿数 Number of tooth	Z	9 11
2	径节 Diametral pitch (DP)	D.P	16/32 16/32
3	压力角 Pressure angle	a	30° 30°
4	大径 Major diameter		Ø15.45 ^{+0.13} Ø18.63 ^{+0.13}
5	小径 Minor diameter		Ø12.25 ^{+0.27} Ø15.46 ^{+0.27}
6	量棒直径 Pin diameter		Ø3.048 Ø3.048
7	跨棒距 Measurement over pins		18.52 ^{+0.05} 21.76 ^{+0.05}
8	齿根形式 Root form		平齿根 Flat root

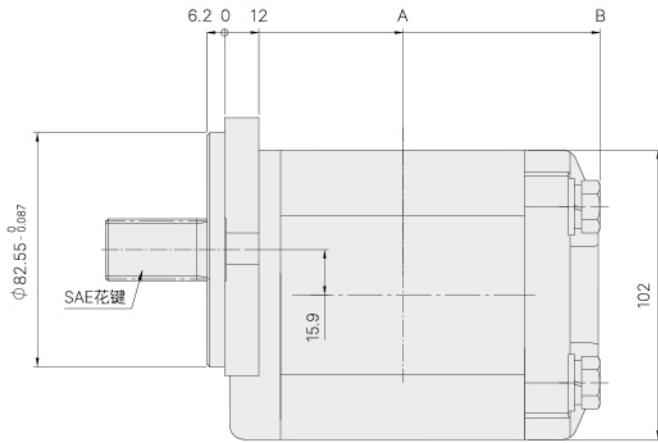
性能参数 Specification 注:图示为右旋 Rotation:Right

型号 Model	理论排量 Displacement (mL/r)	A	B	ΦC	压力 Pressure (MPa)		转速 Speed (r/min)			容积效率 Volumetric efficiency (≥%)	噪音值 Noise rating
					额定 Rated	最高 Max	最低 Min	额定 Rated	最高 Max		
CBXB3- F08- ****	8	49.6	106	15	20	25	300	2000	3000	94%	≤ 60dB
CBXB3- F10- ****	10	51.8	110.5	19							
CBXB3- F12- ****	12	53.8	115	19							
CBXB3- F16- ****	16	57.8	122.5	19							

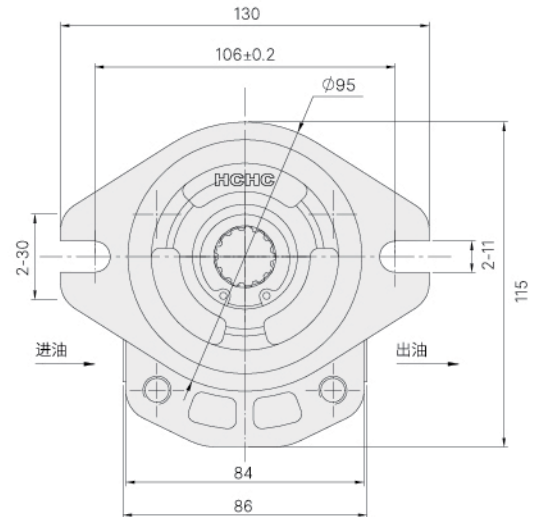
CBXB4 超静音螺旋式齿轮油泵
ULTRA-QUIET HELICAL ROTOR PUMP



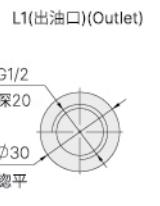
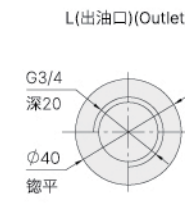
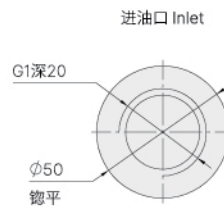
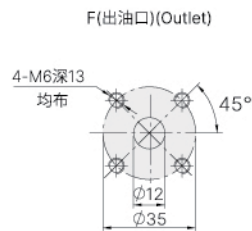
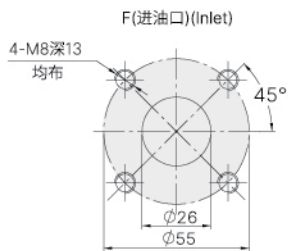
外形图 Outline Dimensions



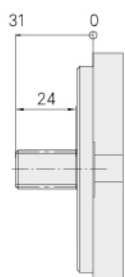
法兰联接 Flange port



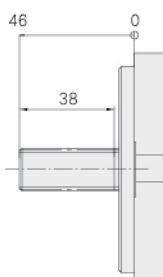
螺纹联接 Thread port



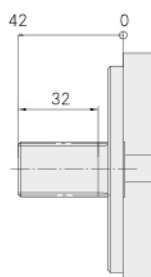
SAE花键9齿



SAE花键10齿



SAE花键13齿



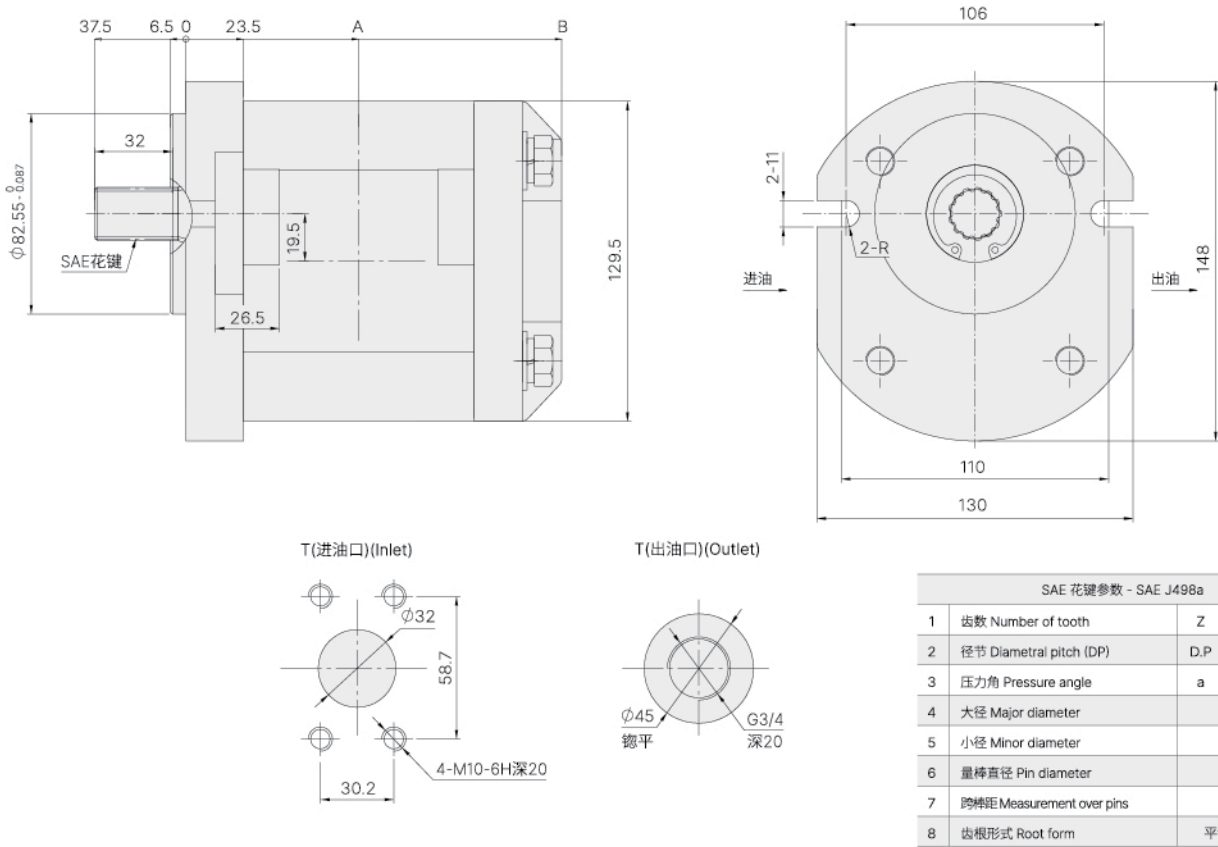
SAE 花键参数 - SAE J498a					
1	齿数 Number of tooth	Z	9	10	13
2	径节 Diametral pitch (DP)	D.P	16/32	16/32	16/32
3	压力角 Pressure angle	a	30°	30°	30°
4	大径 Major diameter		Φ15.45 ^{±0.13}	Φ17.04 ^{±0.13}	Φ21.81 ^{±0.13}
5	小径 Minor diameter		Φ12.25 ^{±0.27}	Φ13.87 ^{±0.27}	Φ18.63 ^{±0.27}
6	量棒直径 Pin diameter		Φ3.048	Φ3.048	Φ3.048
7	跨棒距 Measurement over pins		18.52 ^{±0.05}	20.36 ^{±0.05}	24.8 ^{±0.05}
8	齿根形式 Root form		平齿根 Flat root		

性能参数 Specification 注:图示为右旋 Rotation:Right

型号 Model	理论排量 Displacement (mL/r)	A	B	压力 Pressure (MPa)		转速 Speed (r/min)			容积效率 Volumetric efficiency (≥%)	噪音值 Noise rating
				额定 Rated	最高 Max	最低 Min	额定 Rated	最高 Max		
CBXB4- F16- ****	16	53.8	115	20	25	300	2000	4000	94%	≤ 60dB
CBXB4- F18- ****	18	55.3	118							
CBXB4- F20- ****	20	56.8	121							
CBXB4- F23- ****	23	58.8	125							
CBXB4- F25- ****	25	60.3	128							
CBXB4- F28- ****	28	62.8	133							



外形图 Outline Dimensions



性能参数 Specification 注:图示为右旋 Rotation:Right

型号 Model	理论排量 Displacement (mL/r)	A	B	压力 Pressure (MPa)		转速 Speed (r/min)			容积效率 Volumetric efficiency (≥%)	噪音值 Noise rating
				额定 Rated	最高 Max	最低 Min	额定 Rated	最高 Max		
CBXB5- F28- ****	28	65	142.5	20	25	300	2000	3000	94%	≤ 60dB
CBXB5- F32- ****	32	67	146.5							
CBXB5- F36- ****	36	69	150.5							
CBXB5- F40- ****	40	71	154.5							
CBXB5- F45- ****	45	73.5	159.5							
CBXB5- F50- ****	50	76	164.5							

合肥长源液压股份有限公司

公司地址:中国安徽省合肥市当涂北路瑶海工业园珍珠路

传真: +86-551-64391155

国内市场电话: 4008-123-910

+86-551-64391100 +86-551-64391122

邮箱: sale@hchc.cn

国际市场电话: +86-551-64396718

邮箱: export01@hchc.cn

售后支持热线: 400-887-9946

相关链接:

<http://ahhchc.en.alibaba.com>

<http://ahhchc.1688.com>

<http://ahhchc.en.made-in-china.com>

Hefei Changyuan Hydraulic CO.,LTD.

Company address: Yaohai Industrial Park, North Dangtu Road, Hefei, China

Fax: +86-551-64391155

Domestic market telephone: 4008-123-910

+86-551-64391100 +86-551-64391122

E-mail: sale@hchc.cn

International market Tel.: +86-551-64396718

E-mail: export01@hchc.cn

After service: 400-887-9946

Related links:

<http://ahhchc.en.alibaba.com>

<http://ahhchc.1688.com>

<http://ahhchc.en.made-in-china.com>

www.hchc.cn

